

TRANSIT & TRANSIT CONNECT VANS



MASTERACK[®]

TAILOR FIT FOR A JOB DONE RIGHT



Ford Transit

Heavy Duty Steel Packages

MASTERACK®'s strong and durable steel interiors are designed to handle the toughest applications. These high quality, heavy duty interiors have been the number one choice for many commercial fleets for more than 45 years. Cost effective and reliable, a MASTERACK® steel package will help keep fleets organized on the road for years to come.

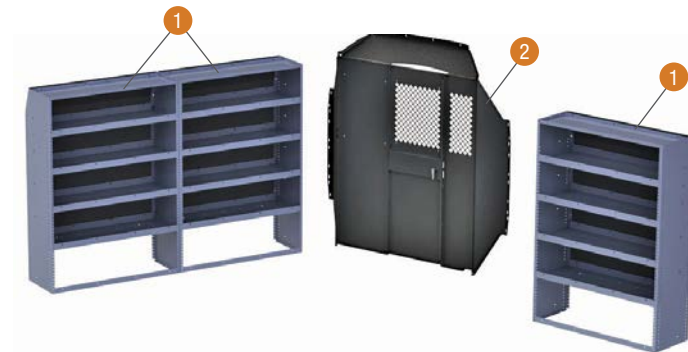


Low Roof (130"/148"WB)



STANDARD STEEL BASE PACKAGE			
Item #	Part #	Description	Qty.
1	022434KP	Steel Shelving Module 46"H x 43"W x 16"D	2
2	027546KP	Steel Shelving Module 46"H x 43"W x 12"D	1
3	027088KP	Steel Partition with Hinged Door	1
4	02H369KP	Low Roof Partition Attachment Panel	1

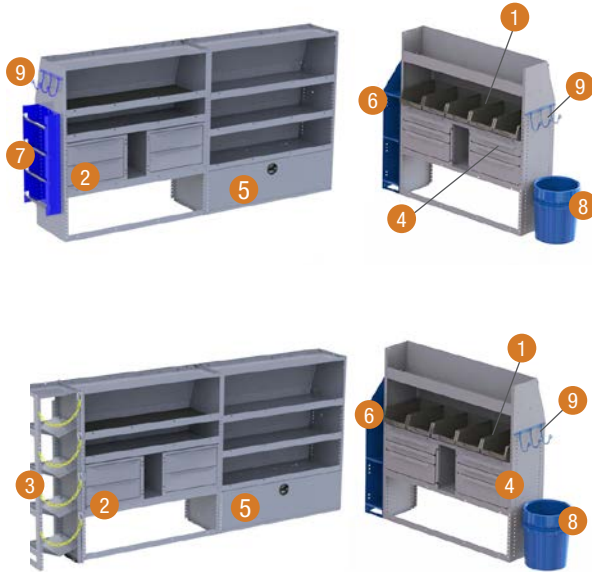
Medium Roof (130"/148"WB) & High Roof (148"/148"ELWB)



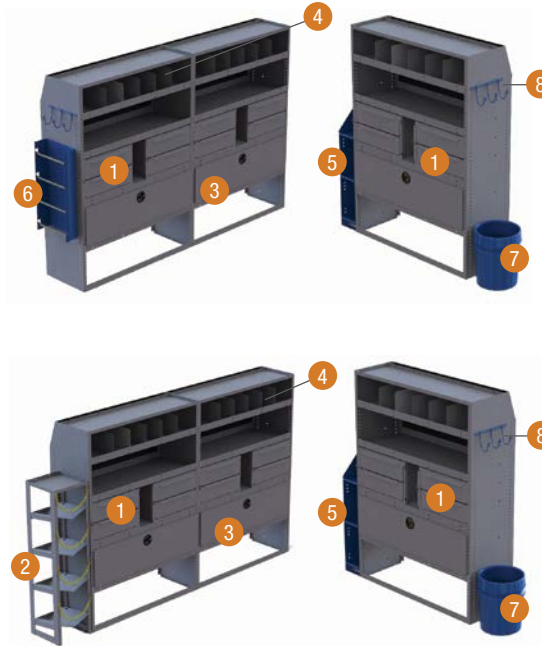
TALL STEEL BASE PACKAGE			
Item #	Part #	Description	Qty.
1	02A383KP	Steel Shelving Module 60"H x 43"W x 16"D	3
2	02J180KP	Steel Partition with Hinged Door	1
3	02H370KP	Medium Roof Partition Attachment Panel	1
4	02H371KP	High Roof Partition Attachment Panel	1

Trade Options

Customize any shelving package with the addition of drawers, doors and dividers. Select a few, buy them all, or design a unique interior to suit your needs. Perfect for contractors in all industries!



LOW ROOF STEEL OPTIONS		
Item #	Part #	Description
1	021471KP	Composite Storage Bins (set of 4)
2	025070KP	2-Drawer Cabinet 16"D
3	025254KP	Quadruple 30# Freon Tank Holder
4	027259KP	3-Drawer Cabinet 12"D
5	027498KP	Locking Storage Door 43"W
6	OSS116KP	Blue Manual Rack
7	OSS117KP	Blue Wire Spool Rack
8	OSS118KP	Blue Storage Bucket
9	OSS119KP	Blue Triple Utility Hook



MEDIUM / HIGH ROOF STEEL OPTIONS		
Item #	Part #	Description
1	025070KP	2-Drawer Cabinet 16"D
2	025254KP	Quadruple 30# Freon Tank Holder
3	027498KP	Locking Storage Door 43"W
4	022528KP	Dividers (set of 5)
5	OSS116KP	Blue Manual Rack
6	OSS117KP	Blue Wire Spool Rack
7	OSS118KP	Blue Storage Bucket
8	OSS119KP	Blue Triple Utility Hook

Steel Partitions

Steel partitions offer maximum cargo security and protection. MASTERACK®'s signature diamond perforations and non-glare black powder coat finish provide increased visibility. Locking center door panels provide access from the cab to the cargo area.



TRANSIT STEEL PARTITION ORDERING GUIDE		
Description	Part #	Partition Attachment Panels
Low Roof: solid left; hinged door middle; perforated right	027088KP	02H369KP
Medium Roof: solid left; hinged door middle; perforated right	02J180KP	02H370KP
High Roof: solid left; hinged door middle; perforated right	02J180KP	02H371KP

**ALL partitions must be ordered with an attachment panel.*

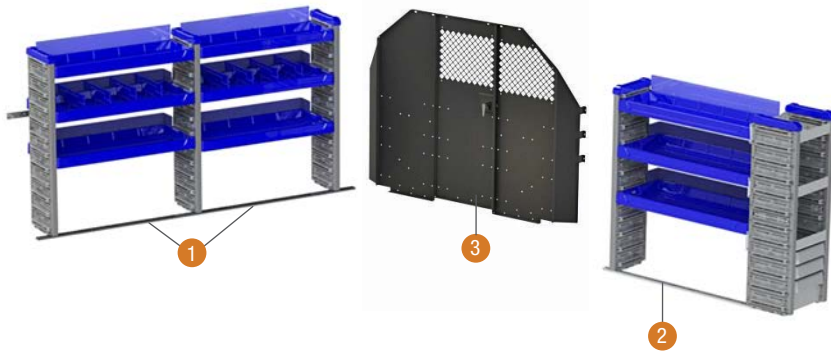


Ford Transit Configurable SmartSpace® Packages

Quiet and customizable. The industry's only all composite and aluminum van interior can be easily adjusted in minutes without tools! SmartSpace shelves are made of rugged components engineered to last in the toughest work environments. Sound-absorbing shelves, uprights, and secured drawers deter tools and equipment from rattling while vehicle is in motion. Light color panels enhance visibility inside the cargo area. MASTERACK® offers a variety of shelves, drawers, and accessories that slide into upright panels for infinite storage possibilities.



Low Roof (130"/148"WB)



STANDARD SMARTSPACE BASE PACKAGE			
Item #	Part #	Description	Qty.
1	0SS150KP	Streetside: 44"H x 74"W x 16"D	1
2	0SS151KP	Curbside: 44"H x 49"W x 16"D	1
3	027088KP	Steel Partition with Hinged Door	1
4	02H369KP	Attachment Panel	1

INSTALLATION KIT SOLD SEPARATELY	
0SS125KP	Low Roof 130"WB
0SS126KP	Low Roof 148"WB

Medium Roof (130"/148"WB) & High Roof (148"/148"ELWB)

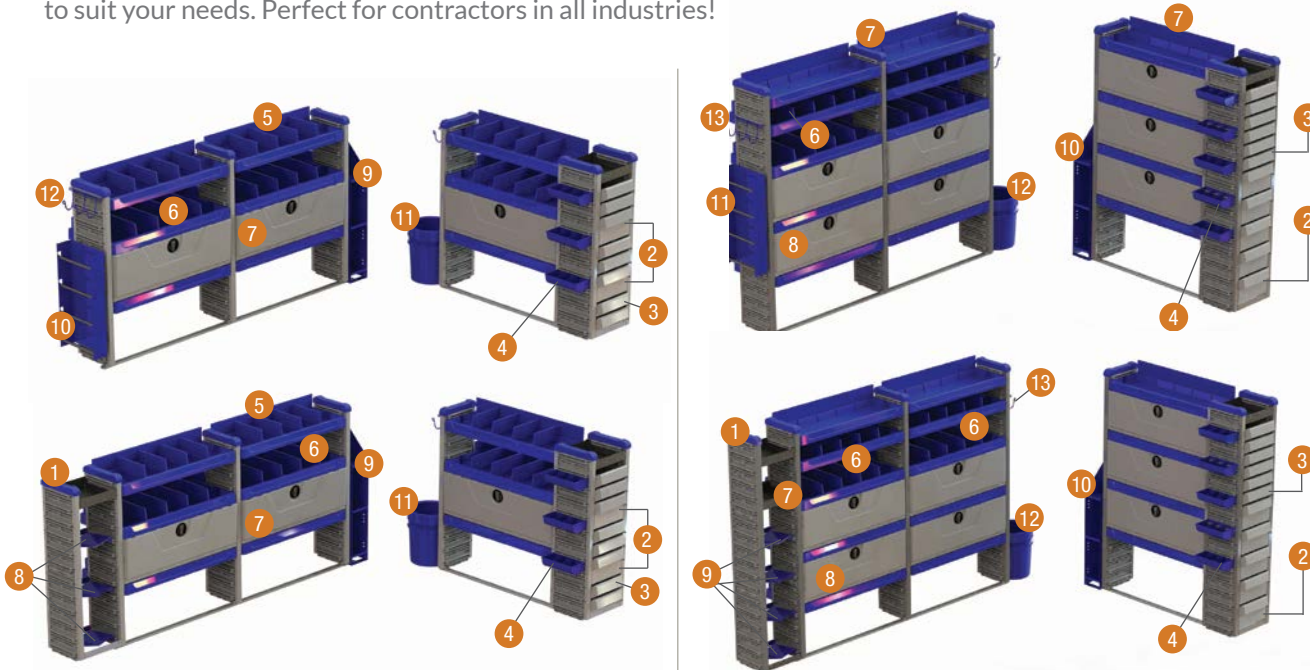


TALL SMARTSPACE BASE PACKAGE			
Item #	Part #	Description	Qty.
1	0SS152KP	Streetside: 66"H x 74"W x 16"D	1
2	0SS153KP	Curbside: 66"H x 49"W x 16"D	1
3	02J180KP	Steel Partition with Hinged Door	1
3	02H370KP	Medium Attachment Panel	1
4	02H371KP	High Attachment Panel	1

INSTALLATION KIT SOLD SEPARATELY	
0SS127KP	Medium Roof 130"WB
0SS128KP	Medium Roof 148"WB
0SS129KP	High Roof 148"WB
0SS130KP	Ext. High Roof 148"WB

Trade Options

Customize any shelving package with the addition of drawers, doors and dividers. Select a few, buy them all, or design a unique interior to suit your needs. Perfect for contractors in all industries!



LOW ROOF SMARTSPACE OPTIONS		
Item #	Part #	Description
1	0SS104KP	Cubby Module 44"H x 14"W x 12"D
2	0SS106KP	Large Drawer (w/Dividers) 12"W x 6"H x 12"D
3	0SS107KP	Small Drawer (w/Dividers) 12"W x 3"H x 12"D
4	0SS108KP	Composite Bin (w/Dividers)
5	0SS109KP	Shelf Dividers 12"D (set of 4)
6	0SS110KP	Shelf Dividers 16"D (set of 4)
7	0SS114KP	Locking Storage Door (37"W x 12"H)
8	0SS115KP	Steel 30# Freon Tank Shelf Kit
9	0SS116KP	Blue Manual Rack
10	0SS117KP	Blue Wire Spool Rack
11	0SS118KP	Blue Storage Bucket
12	0SS119KP	Blue Triple Utility Hook

MEDIUM / HIGH ROOF SMARTSPACE OPTIONS		
Item #	Part #	Description
1	0SS105KP	Cubby Module 66"H x 14"W x 12"D
2	0SS106KP	Large Drawer (w/Dividers) 12"W x 6"H x 12"D
3	0SS107KP	Small Drawer (w/Dividers) 12"W x 3"H x 12"D
4	0SS108KP	Composite Bin (w/Dividers)
5	0SS109KP	Shelf Dividers 12"D (set of 4 not pictured)
6	0SS110KP	Shelf Dividers 16"D (set of 4)
7	0SS113KP	Shelf Kit (12"W x 12"D)
8	0SS114KP	Locking Storage Door (37"W x 12"H)
9	0SS115KP	Steel 30# Freon Tank Shelf Kit
10	0SS116KP	Blue Manual Rack
11	0SS117KP	Blue Wire Spool Rack
12	0SS118KP	Blue Storage Bucket
13	0SS119KP	Blue Triple Utility Hook

Ladder & Utility Racks

LOCKING LADDER RACKS

MASTERACK® patented, easy-to-use clamping action secures ladders in place. Ladders are easily loaded and unloaded from the side of the van for safe and efficient operation. These no-drill ladder racks secure to existing mounting points in the vehicle roof, reducing install time and improving resale value. Locking feature protects cargo while on the move or at the end of the day.

TRANSIT LOW ROOF (130"WB) ORDERING GUIDE	
Description	Part #
Single Locking Ladder Rack for Extension Ladder	02J058KP
Locking Ladder Rack - Streetside Upgrade for Step/Combination Ladders	021226KP

SLIDE-DOWN LADDER RACKS

Easily lowers ladders within arm's reach with easy-to-use actuator handle. Includes assist for effortless operation. Ships pre-assembled for quick installation.

TRANSIT LOW ROOF (130"WB) ORDERING GUIDE	
Description	Part #
Single Slide-Down Ladder Rack	02J024KP
Double Slide-Down Ladder Rack	02J025KP

UTILITY CARRIER

This economic but rugged choice can hold a variety of items including ladders.

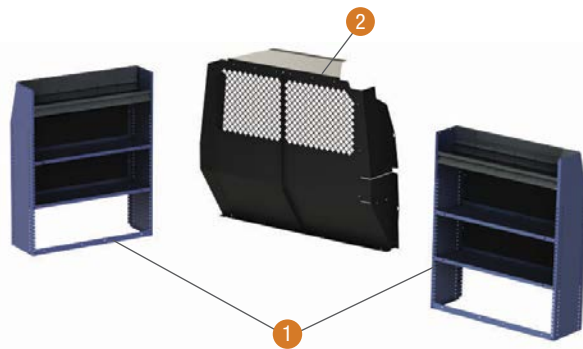


* 02J113KP - Additional Crossbow



Ford Transit Connect Heavy Duty Steel Packages

MASTERACK®'s strong and durable steel interiors are designed to handle the toughest applications. These high quality, heavy duty interiors have been the number one choice for many commercial fleets for more than 45 years. Cost effective and reliable, a MASTERACK® steel package will help keep fleets organized on the road for years to come.



COMPACT STEEL BASE PACKAGE			
Item #	Part #	Description	Qty.
1	02J640KP	Steel Shelving Module 44"H x 37"W x 12"D	2
2	02M186KP	Steel Partition	1
3	02G056KP	Install Kit	1

Trade Options

Customize any shelving package with the addition of drawers, doors and dividers. Select a few, buy them all, or design a unique interior to suit your needs. Perfect for contractors in all industries!

COMPACT STEEL OPTIONS		
Item #	Part #	Description
1	021471KP	Composite Storage Bins (set of 4)
2	025545KP	Triple 30# Freon Tank Holder
3	027259KP	3-Drawer Cabinet 12"D
4	027497KP	Locking Storage Door 37"W
5	02D641KP	6-Drawer Cabinet 12"D
6	0SS116KP	Blue Manual Rack
7	0SS117KP	Blue Wire Spool Rack
8	0SS119KP	Blue Triple Utility Hook
9	02B893KP	Tool Drop Tray Dividers (set of 5)





Ford Transit Connect Configurable SmartSpace® Packages

Quiet and customizable. The industry's only all composite and aluminum van interior can be easily adjusted in minutes without tools! SmartSpace shelves are made of rugged components engineered to last in the toughest work environments. Sound-absorbing shelves, uprights, and secured drawers deter tools and equipment from rattling while vehicle is in motion. Light color panels enhance visibility inside the cargo area. MASTERACK® offers a variety of shelves, drawers, and accessories that slide into upright panels for infinite storage possibilities.

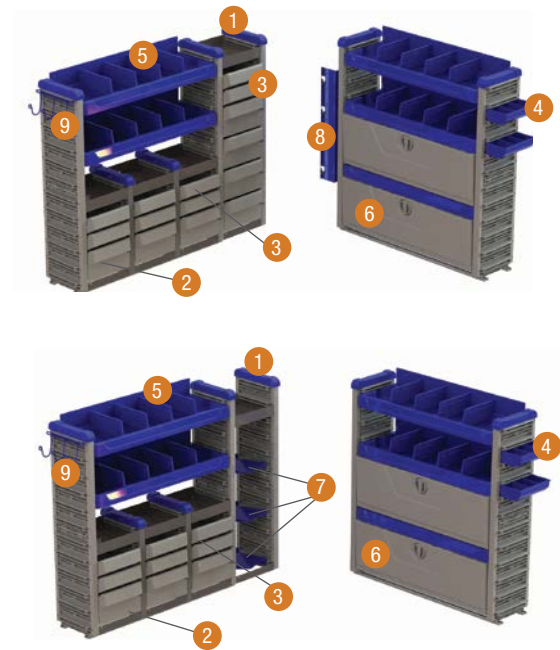


COMPACT SMARTSPACE BASE PACKAGE			
Item #	Part #	Description	Qty.
1	OSS154KP	Streetside 44"H x 37"W x 12"D	1
2	OSS155KP	Curbside 44"H x 37"W x 12"D	1
3	O2M186KP	Steel Partition	1
4	OSS123KP	Install Kit	1

Trade Options

Customize any shelving package with the addition of drawers, doors and dividers. Select a few, buy them all, or design a unique interior to suit your needs. Perfect for contractors in all industries!

COMPACT SMARTSPACE OPTIONS		
Item #	Part #	Description
1	OSS104KP	Cubby Module 44"H x 14"W x 12"D
2	OSS106KP	Large Drawer (w/Dividers) 12"W x 6"H x 12"D
3	OSS107KP	Small Drawer (w/Dividers) 12"W x 3"H x 12"D
4	OSS108KP	Composite Bin (w/Dividers)
5	OSS109KP	Shelf Dividers 12"D (set of 4)
6	OSS114KP	Locking Storage Door (37"W x 12"H)
7	OSS115KP	Steel 30# Freon Tank Shelf Kit
8	OSS117KP	Blue Wire Spool Rack
9	OSS119KP	Blue Triple Utility Hook



Ladder & Utility Racks

LOCKING LADDER RACKS

MASTERACK® patented, easy-to-use clamping action secures ladders in place. Ladders are easily loaded and unloaded from the side of the van for safe, efficient operation. These no-drill ladder racks secure to existing mounting points in the vehicle roof, reducing install time and improving resale value. Locking feature protects cargo while on the move or at the end of the day.

TRANSIT CONNECT LADDER RACKS	
Wheelbase	Part #
121" Locking Ladder	02G057KP
121" Streetside Upgrade	021228KP
106" Locking Ladder	02H285KP
106" Streetside Upgrade	02H289KP



SLIDE-DOWN LADDER RACKS

Easily lowers ladders within arm's reach with easy-to-use actuator handle. Includes assist for effortless operation. Ships pre-assembled for quick installation.



TRANSIT CONNECT SLIDE-DOWN LADDER RACKS		
	Wheelbase	Part #
Single Rack	121"WB	02G059KP
	106"WB	02H286KP
Double Rack	121"WB	02G060KP
	106"WB	02H287KP

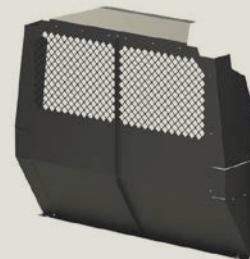
UTILITY CARRIER

This economic but rugged choice can hold a variety of items including ladders.



Partitions

Steel partitions offer maximum cargo security and protection. MASTERACK®'s signature diamond perforations and non-glare black powder coat finish provide increased visibility.



TRANSIT CONNECT PARTITION ORDERING GUIDE		
Part #	Description	Attachment Panels
02M186KP	Steel	N/A

Distributed By:



MASTERACK®

For more information or to find an authorized MASTERACK® installer in your area, visit WWW.MASTERACK.COM.

MASTERACK® and SmartSpace® are registered trademarks. Products and specifications subject to change without notice.

©2020 MASTERACK®

